

PERFECT SOLUTIONS FOR **GAS ALARM** SYSTEMS



Technical Datasheet



PolyGard®

Warning Horn WH230/24

DESCRIPTION

APPLICATION

FEATURES

TYPES

SPECIFICATIONS

ELECTRICAL CONNECTION

SWITCH POSITIONS FOR HORN



Specifications subject to change without notice.
Up-to-date data sheets and user manuals can be found in the download area of www.msr-24.com.
PolyGard® is a registered trademark of MSR-Electronic GmbH.
www.msr-electronic.de

■ All Products
■ Made
■ in Germany

DESCRIPTION

Warning horn in stable plastic housing (ABS) according to VDI 2053.

APPLICATION

All-purpose audio warning hooter with 32 adjustable sounds, incl. DIN tone for fire-detection and safety systems in accordance with the VdS directives.

FEATURES

- Simple maintenance
- Continuous operation
- Long life-time
- Reliable

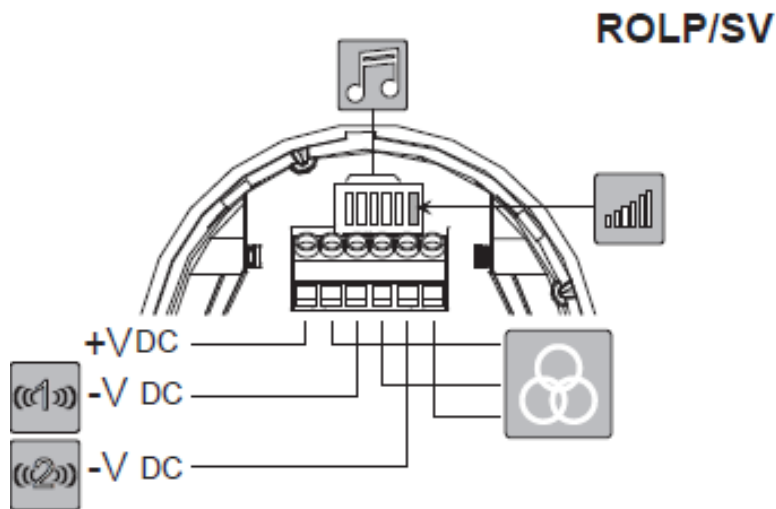
TYPES

Warning horn 230 V AC, 98 dB:	WH-230-98
Warning horn 230 V AC, 108 dB:	WH-230-108
Warning horn 24 V DC, 98 dB:	WH-24-98
Warning horn 24 V DC, 108 dB	WH-24-108

SPECIFICATIONS

ELECTRICAL	
Power supply	110–240 V AC, 50 Hz or 9–28 V DC
Power consumption	Max. 35 mA
Audio frequency	32 arbitrary sounds, incl. DIN tone
Acoustic pressure	64 dB (A) – 111 dB (A)
OPERATING ELEMENT	
Humidity	0–95% RH non-condensing
Working temperature	-10 °C to +55 °C
Storage temperature	-10 °C to +55 °C
Pressure range	Atmospheric ±10 %
PHYSICAL CHARACTERISTICS	
Enclosure material	Thermoplastic (ABS), shock-resistant
Enclosure colour	Red
Dimensions (D x H)	Ca. 93 x 93 mm
Weight	0.32 kg
Protection class	IP54
Mounting	Wall and ceiling installation
Cable entry	Ca. 12 mm diameter
Wire connection	Screw-type terminals, min. 0.28 mm ² , max. 2.5 mm ²
REGULATIONS	
Directives	VdS
Warranty	1 year

ELECTRICAL CONNECTION



SWITCH POSITIONS FOR HORN

						Main Application
			Pattern	Frequency Hz	Rate	
1	14	11111	Alternating	800 & 970	2Hz (250ms-250ms)	BS Fire
2	14	11110	Sweep	800 to 970	7Hz (7/s)	BS Fire
3	14	11101	Sweep	800 to 970	1Hz (1/s)	BS Fire
4	14	11100	Continuous	2850	Steady	General Purpose
5	4	11011	Sweep	2400 to 2850	7Hz	General Purpose
6	4	11010	Sweep	2400 to 2850	1Hz	General Purpose
7	14	11001	Slow whoop	500 to 1200	3s sweep, 0.5 s silence, then repeat	Dutch fire (NEN 2575)
8	14	11000	Sweep (DIN)	1200 to 500	1Hz	German fire (DIN 33 404)
9	4	10111	Alternating	2400 & 2850	2Hz (250ms-250ms)	General Purpose
10	14	10110	Intermittent	970	0.5Hz (1s On/1s Off)	PFEER alert
11	14	10101	Alternating	800 & 970	1Hz (500ms-500ms)	BS Fire
12	4	10100	Intermittent	2850	0.5Hz (1s On/1s Off)	General Purpose
13	14	10011	Intermittent	970	0.8Hz (250ms On/1s Off)	General Purpose
14	14	10010	Continuous	970	Steady	PFEER toxic gas
15	14	10001	Alternating	554 & 440	100ms-400ms	French fire (NFS 32-001)
16	16	10000	Intermittent	660	3.3Hz (150ms On/150msOff)	Swedish (Air Raid)
17	17	01111	Intermittent	660	0.28Hz (1.8s On/1.8s Off)	Swedish (Local warning)
18	18	01110	Intermittent	660	0.05Hz (13s Off / 6.5Hz On)	Swedish (Pre-mess)
19	19	01101	Continuous	660	Steady	Swedish (All clear)
20	20	01100	Alternating	554 & 440	0.5Hz (1s On/1s Off)	Swedish (Turn out)
21	21	01011	Intermittent	660	1Hz (500ms-500ms)	Swedish general purpose
22	14	01010	Intermittent	2850	4Hz (150ms On/100ms Off)	Pelican crossing
23	14	01001	Sweep	800 to 970	50Hz	BS Fire
24	4	01000	Sweep	2400 to 2850	50Hz	General Purpose
25	25	00111	Intermittent	970	3 x 500ms pulses, 1.5s silence, then repeat	ISO 8201
26	26	00110	Intermittent (1*)	800 to 970	3 x 500ms pulsed sweep, 1.5s silence, then repeat	ISO 8201
27	27	00101	Intermittent (1*)	970 & 800	3 x 500ms pulsed sweep, 1.5s silence, then repeat	ISO 8201
28	10	00100	Alternating	800 & 970	2Hz (250ms-250ms)	BS Fire
29	988Hz	00011	Alternating	990 & 650	2Hz (250ms-250ms) (Symphoni tones)	BS Fire
30	510Hz	00010	Alternating	510 & 610	2Hz (250ms-250ms) (Squashni Micro tones)	BS Fire
31	14	00001	Sweep	300 to 1200	1Hz	General Purpose
32	510Hz	00000	Alternating	510 & 610	1Hz (500ms-500ms)	BS Fire